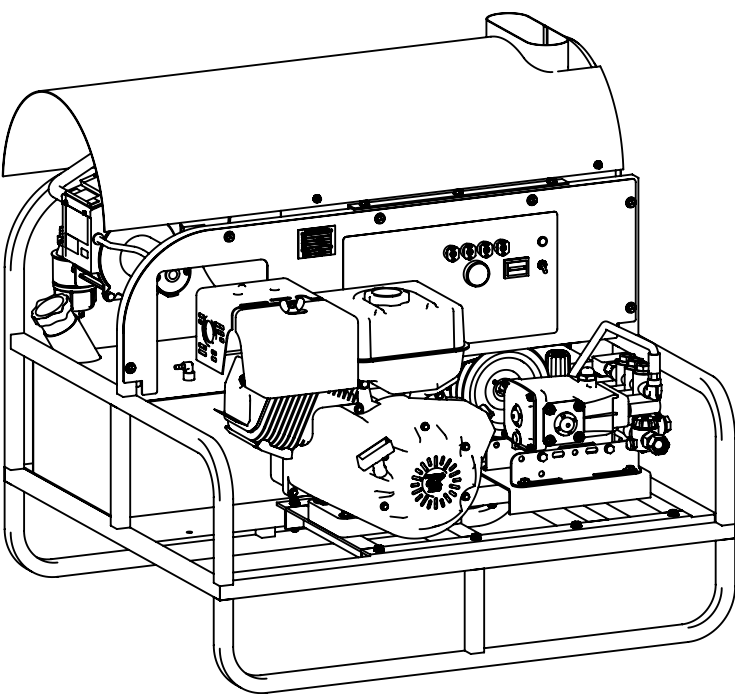


ITEM	PART NO.	DESCRIPTION	QTY
1	7105355	FRAME, DEWALT MINI-SKID	1
2	7106206	SUB-FRAME, SVC ASSY DEWALT MINI-SKID	1
2.1	7105357	SUB-FRAME, DEWALT MINI-SKID	1
2.2		VIBRATION DAMPER	8
2.3		NUT, WHIZ 5/16-18	16
3	7107576	COIL TANK, SVC ASSY DEWALT MINI-SKID	1
3.1	7105359	COIL WRAPPER, DEWALT MINI-SKID	1
3.2	7105029	INSULATION HARD DISC 1/2" x Ø16"	1
3.3	7106417	INSULATION DISC, 16" DIA #6 SOFT	1
3.4	7106209	INSULATION, 16" COIL 22" x 48" BLANKET	1
3.5	7103397	COIL, Ø16" 3 PANCAKE MINI-SKID	1
3.6	7106210	BURNER DISC, 16" DIA W/ 7 1/2" HOLE	2
3.7	7105361	TANK HEAD, Ø16" MINI-SKID	1
3.8	7105364	HEAT SHIELD, DEWALT MINI-SKID	1
3.9	7100606	NIPPLE, 1/2" x 5" SCH. 80	2
3.10	7100019	COUPLER, 3/8" NPTF x 3/8" QC-F	1
* 3.10.1	7100018	O-RING, SEAL SOCKET	1
3.11	7102372	NIPPLE, 3/8" NPTM x 3" SCH. 80	1
3.12	7100353	REDUCER 1/2" NPTM x 3/8" NPTF	2
3.13	7105765	PIPE CROSS, 1/2" NPTF	1
3.14	7101283	THERMOSTAT PANEL MOUNT	1
3.15	7105679	VALVE, RELIEF 1/2" NPTM x 1/4" HOSE BARB	1
3.16	7101261	TEE, HYDRAULIC 1/2" NPTF	1
3.17	7105796	PLUG, SQUARE 1/2" NPTM	1
† 3.18		SCREW, #10 x 1/2" SELF-DRILLING	3
† 3.19		SCREW, 5/16"-12 x 3/4" SELF-TAP	6
† 3.20		BOLT, 1/4"-20 x 3/4" FLANGE	4
† 3.21		NUT, CLINCH, 1/4"-20	4
4	7106195	BURNER, SVC ASSY WAYNE DEWALT COBALT	1
4.1	7101975	WAYNE BURNER, 12V DC	1
4.2	7100423	1/4" HOSE BARB x 1/4" NPTM	1
4.3	7100607	NIPPLE, 1/4" x CLOSE	1
4.4	7100286	ELBOW, 1/4" NPTM x 1/4" NPTF STREET	1
4.5	7100284	ELBOW, 1/4" HB x 1/4" NPTM	1
4.6	7100648	NOZZLE, FUEL 2.25 x 80° B	1
4.7		WASHER, 5/16"	3
4.8		NUT, WHIZ 5/16-18	3
5	7106197	DIESEL TANK, SVC ASSY	1
5.1	7105489	TANK, DEWALT COBALT DIESEL	1
5.2	7100284	ELBOW, 1/4" HB x 1/4" NPTM	2
5.3	7102406	PLUG, SQUARE HEAD 1/4" NPTM	1
5.4	7100189	FUEL CAP	1
† 5.5		SCREW, 5/16"-12 x 3/4" SELF-TAP	1
6	7106216	PANEL SVC ASSY, CONTROL	1
6.1	7105362	PANEL, CONTROL DEWALT MINI-SKID	1
6.2	7100534	NAME PLATE, METAL DEWALT	1
6.3	7101283	THERMOSTAT, PANEL MOUNT	1
6.4	7101818	METER, HOUR 12-24V DC	1
6.5	7101221	SWITCH, TOGGLE 20A	1
6.6	7100561	INDICATOR LIGHT, GREEN 12V DC	1
† 6.7		INSERT, 5/16" - 18 NUT	6
† 6.8		BOLT, 5/16"-18 x 3/4"	6
† 6.9		WASHER, FLAT 5/16"	6

ITEM	PART NO.	DESCRIPTION	QTY
7	7105658	EXIDE BATTERY, 12V	1
8	7106217	KIT, BATTERY MOUNTING	1
† 8.1		HOLD DOWN, BATTERY	1
† 8.2		NUT, LOCK 1/4"-28 NYLOCK	4
† 8.3		WASHER, 1/4" FLAT	6
† 8.4		1/4" ZINC ALL-THREAD ROD	2
† 8.5		NUT, 1/4" JAM	2
† 8.6		WASHER, SPLIT-LOCK 1/4"	2
9	7104857	ENGINE, HONDA GX390	1
10	7103701	HARDWARE KIT, ENGINE COBALT	1
† 10.1		BOLT, 5/16" - 18 x 1 1/2"	2
† 10.2		BOLT, 5/16"-18 x 1 3/4"	2
† 10.3		WASHER, 5/16"	4
† 10.4		NUT, WHIZ 5/16-18	4
† 11	7106218	PUMP, SVC ASSY CAT	1
11.1	7105611	PUMP, 3000PSI @ 4.8GPM 1750RPM	1
11.2	7103089	KEY, M6 x 6 x 25MM	1
11.3	7100421	HOSE BARB, 1/2" NPTM x 5/8"	1
11.4	7200234	PRESSURE SWITCH 3/8" M	1
11.5	7100287	ELBOW, 3/8" NPTM x 3/8" NPTF	1
11.6	7102176	WATER FILTER GREEN CAP	1
11.7	7100051	INLET FITTING, 1/2" NPTM x 3/4" GHT	1
12	7106199	MOUNTING KIT, SVC ASSY CAT BELT-DRIVE	1
† 12.1		MOUNTING KIT, CAT BELT-DRIVE RAIL	1
† 12.2		BOLT, 5/16"-18 x 1"	4
† 12.3		WASHER, 5/16"	4
† 12.4		J-BOLT, 5"	1
† 12.5		NUT, WHIZ 5/16-18	5
13	7106214	UNLOADER, SVC ASSY 4000PSI	1
13.1	7101311	UNLOADER, PULSAR 4000	1
13.2	7100285	ELBOW, 3/8" NPTM x 3/8" NPTF Q BODY	1
13.3	7105768	ELBOW, 5/8" HOSE BARB x 3/8" NPTM	1
13.4	7100287	ELBOW, 3/8" NPTM x 3/8" NPTF	2
13.5	7101604	REDUCER, 3/8" NPTM x 1/4" NPTF	1
13.6	7100157	BRACKET, UNLOADER VALVE	1
† 13.7		BOLT, 5/16"-18 x 3/4"	2
† 13.8		NUT, WHIZ 5/16-18	2
14	7106215	NOZZLE, SVC ASSY	1
14.1	7100389	GROMMET, 7/16" RUBBER	4
14.2	7100668	NOZZLE, SOAP	1
14.3	7100645	NOZZLE, 4.5 x 15° YELLOW	1
14.4	7100646	NOZZLE, 4.5 x 30° GREEN	1
14.5	7100647	NOZZLE, 4.5 x 40° WHITE	1
15	7102519	PULLEY, 2BK67H	1
16	7100173	BUSHING, 1" H	1
17	7102517	PULLEY, 2BK36H	1
18	7100184	BUSHING, 20MM H	1
19	7102437	BP36, BELT	2
20	7100332	FILTER ASSEMBLY	1
* 20.1	7100333	FUEL FILTER REPLACEMENT ELEMENT	1
21	7100141	BOX COVER, 2" x 4"	1
22	7104725	HOSE, 5/8" PARKER PUSH-LOK	1
23	7100448	HOSE, 3/8" x 14" RUBBER	1
24	7100433	HOSE, 3/8" x 2' x 4000PSI CRIMP	1
25	7101787	SPRAY GUN 4000PSI @ 8GPM	1
26	7100550	LANCE, 36" INSULATED	1
26.1	7100021	COUPLER, 1/4" NPTF x 1/4" QC-F	1
* 26.2	7100018	O-RING, SEAL SOCKET	1
27	7107495	HOSE, 3/8" x 50' x 4500PSI RUBBER	1
28	7103709	CHEMICAL INJECTOR KIT #2	1
* 29	7102045	TOOL, NOZZLE CLEANING, UNIVERSAL	1
* 30	7105366	MANUAL, DEWALT SKID OPERATOR'S	1
* 31	7100146	BOX, 47" x 44 1/2" x 50" SHIPPING	1



\* NOT SHOWN  
† NOT SOLD SEPERATELY

PUMP IDENTIFICATION TABLE			
MACHINE SERIAL NO.	PUMP MODEL	PUMP PART NO.	PUMP KIT NO.
	5CP5140	7105611	7106218

NAME	DATE
DRAWN TV	2/4/2014
CHECKED M.G.	2/6/2014
ENG APPR. S.A.C.	2/6/2014
MFG APPR. -	-
Q.A. APPR. K.B.	2/6/2014
SERVICE APPR. DH	12/19/2012

**FNA-GROUP**  
1265 INDUSTRIAL STREET, DECATUR, AR 72722

TITLE:  
**DXPWH3640  
DEWALT MINI-SKID**

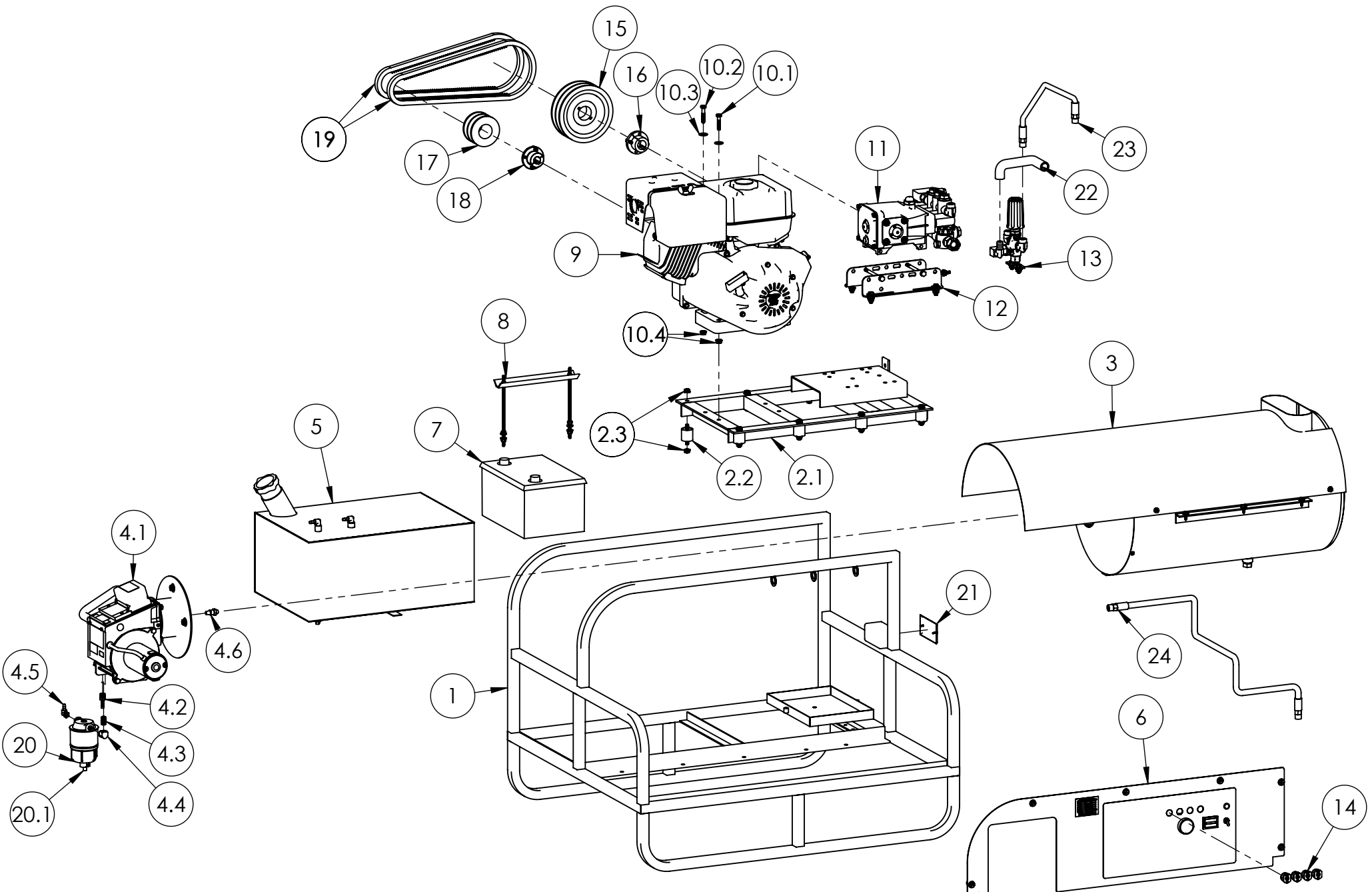
SIZE	DWG. NO.	REV.
<b>A</b>	<b>60581-S</b>	<b>B</b>

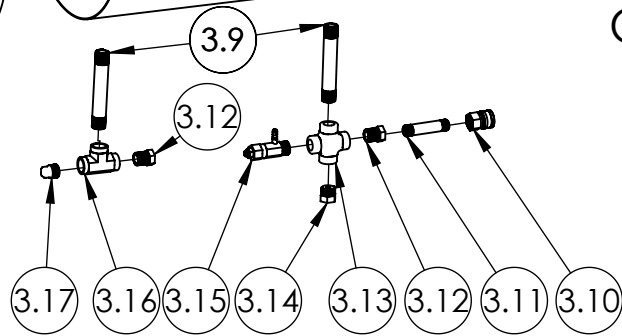
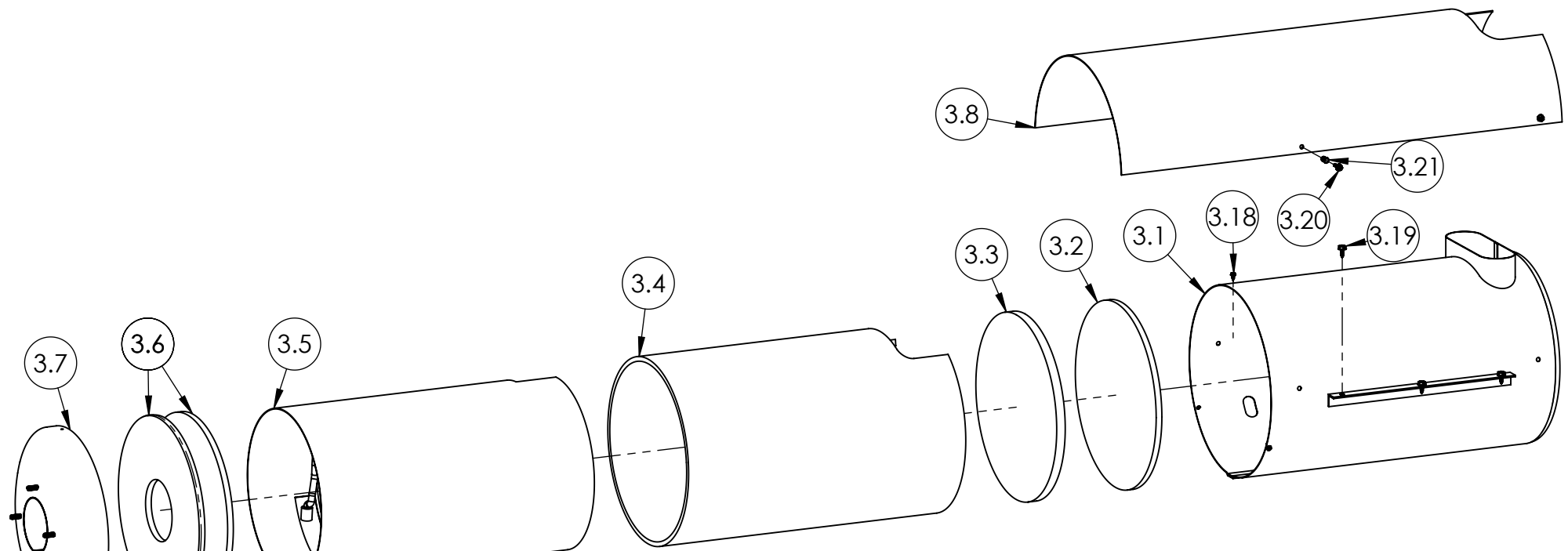
SCALE: N/A ECN# DC14-0044 SHEET 1 OF 12

PROPRIETARY AND CONFIDENTIAL  
THE INFORMATION CONTAINED IN THIS DRAWING IS THE SOLE PROPERTY OF FNA-GROUP. ANY REPRODUCTION IN PART OR AS A WHOLE WITHOUT THE WRITTEN PERMISSION OF FNA-GROUP IS PROHIBITED.

REVISIONS

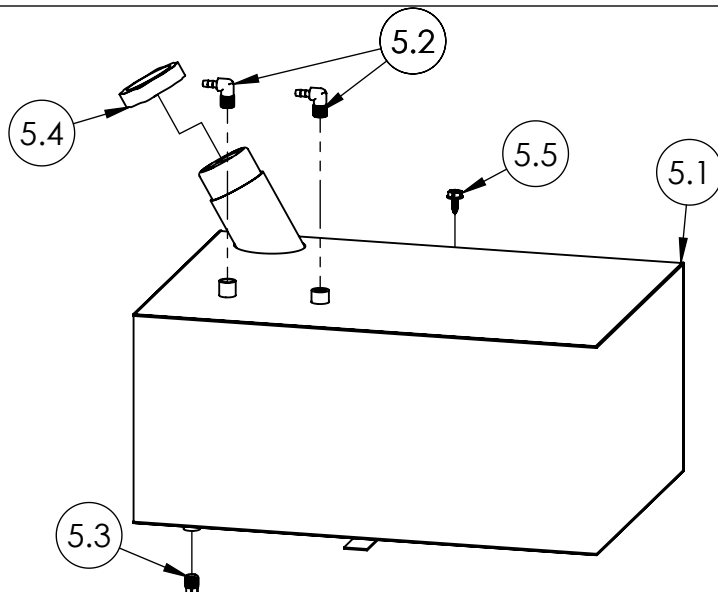
REV.	DESCRIPTION	ECN#	APPROVED	DATE
A	NEW RELEASE	DC12-0151	J.W.	12/24/2012
B	CHANGED 50' HOSE & COSMETICS	DC14-0044	S.A.C.	2/6/2014





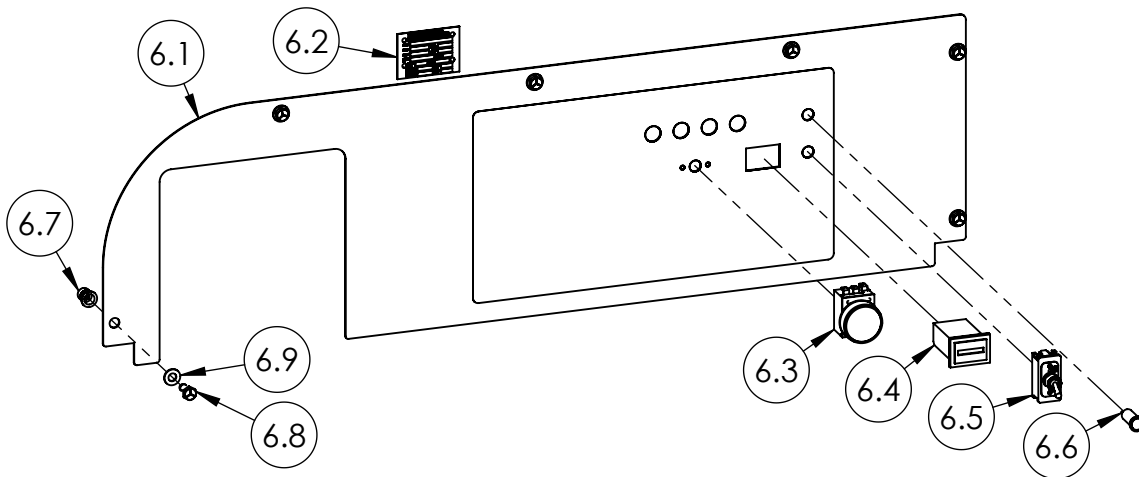
## COIL TANK, SVC ASSY DEWALT MINI-SKID PART NO. 7107576

ITEM	PART NO.	DESCRIPTION	QTY
3.1	7105359	COIL WRAPPER, DEWALT MINI-SKID	1
3.2	7105029	INSULATION HARD DISC 1/2" x Ø16"	1
3.3	7106417	INSULATION DISC, 16" DIA #6 SOFT	1
3.4	7106209	INSULATION, 16" COIL 22" x 48" BLANKET	1
3.5	7103397	COIL, Ø16" 3 PANCAKE MINI-SKID	1
3.6	7106210	BURNER DISC, 16" DIA W/ 7 1/2" HOLE	2
3.7	7105361	TANK HEAD, Ø16" MINI-SKID	1
3.8	7105364	HEAT SHIELD, DEWALT MINI-SKID	1
3.9	7100606	NIPPLE, 1/2" x 5" SCH. 80	2
3.10	7100019	COUPLER, 3/8" NPTF x 3/8" QC-F	1
3.10.1	7100018	O-RING, SEAL SOCKET	1
3.11	7102372	NIPPLE, 3/8" NPTM x 3" SCH. 80	1
3.12	7100353	REDUCER 1/2" NPTM x 3/8" NPTF	2
3.13	7105765	PIPE CROSS, 1/2" NPTF	1
3.14	7101283	THERMOSTAT PANEL MOUNT	1
3.15	7105679	VALVE, RELIEF 1/2" NPTM x 1/4" HOSE BARB	1
3.16	7101261	TEE, HYDRAULIC 1/2" NPTF	1
3.17	7105796	PLUG, SQUARE 1/2" NPTM	1
3.18		SCREW, #10 x 1/2" SELF-DRILLING	3
3.19		SCREW, 5/16"-12 x 3/4" SELF-TAP	6
3.20		BOLT, 1/4"-20 x 3/4" FLANGE	4
3.21		NUT, CLINCH, 1/4"-20	4



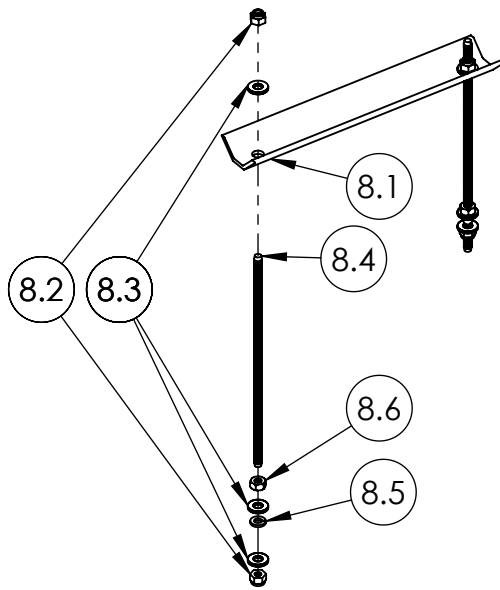
**DIESEL TANK, SVC ASSY DEWALT MINI-SKID  
PART NO. 7106197**

ITEM	PART NO.	DESCRIPTION	QTY
5.1	7105489	TANK, DEWALT COBALT DIESEL	1
5.2	7100284	ELBOW, 1/4" HB x 1/4" NPTM	2
5.3	7102406	PLUG, SQUARE HEAD 1/4" NPTM	1
5.4	7100189	FUEL CAP	1
5.5		SCREW, 5/16"-12 x 3/4" SELF-TAP	1



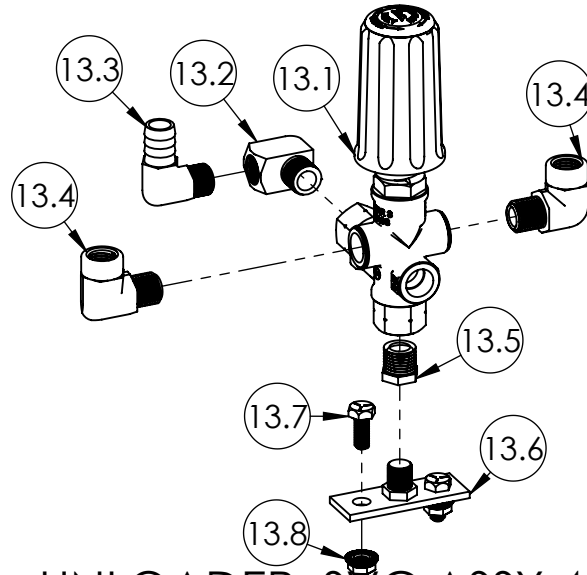
**CONTROL PANEL, SVC ASSY DEWALT MINI-SKID  
PART NO. 7106216**

ITEM	PART NO.	DESCRIPTION	QTY
6.1	7105362	PANEL, CONTROL DEWALT MINI-SKID	1
6.2	7100534	NAME PLATE, METAL DEWALT	1
6.3	7101283	THERMOSTAT, PANEL MOUNT	1
6.4	7101818	METER, HOUR 12-24V DC	1
6.5	7101221	SWITCH, TOGGLE 20A	1
6.6	7100561	INDICATOR LIGHT, GREEN 12V DC	1
6.7		INSERT, 5/16" - 18 NUT	6
6.8		BOLT, 5/16"-18 x 3/4"	6
6.9		WASHER, FLAT 5/16"	6



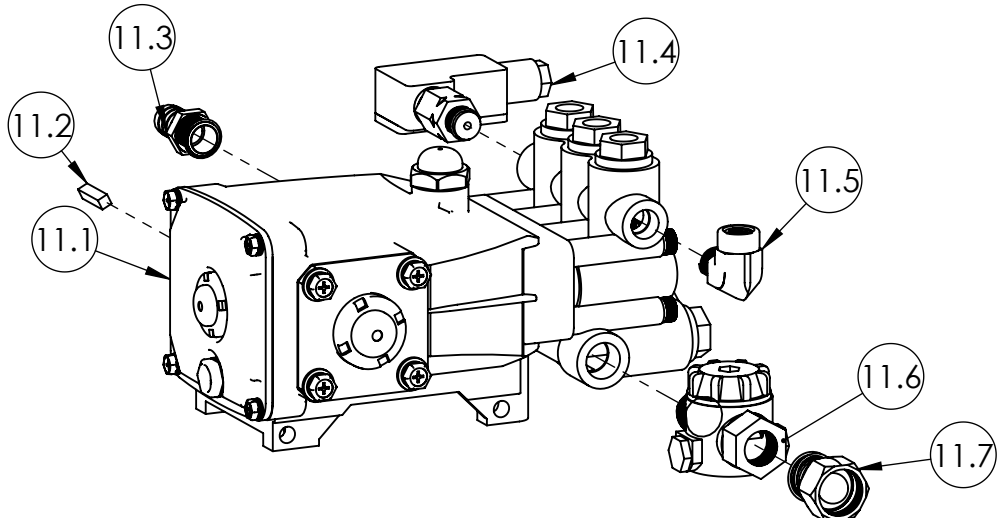
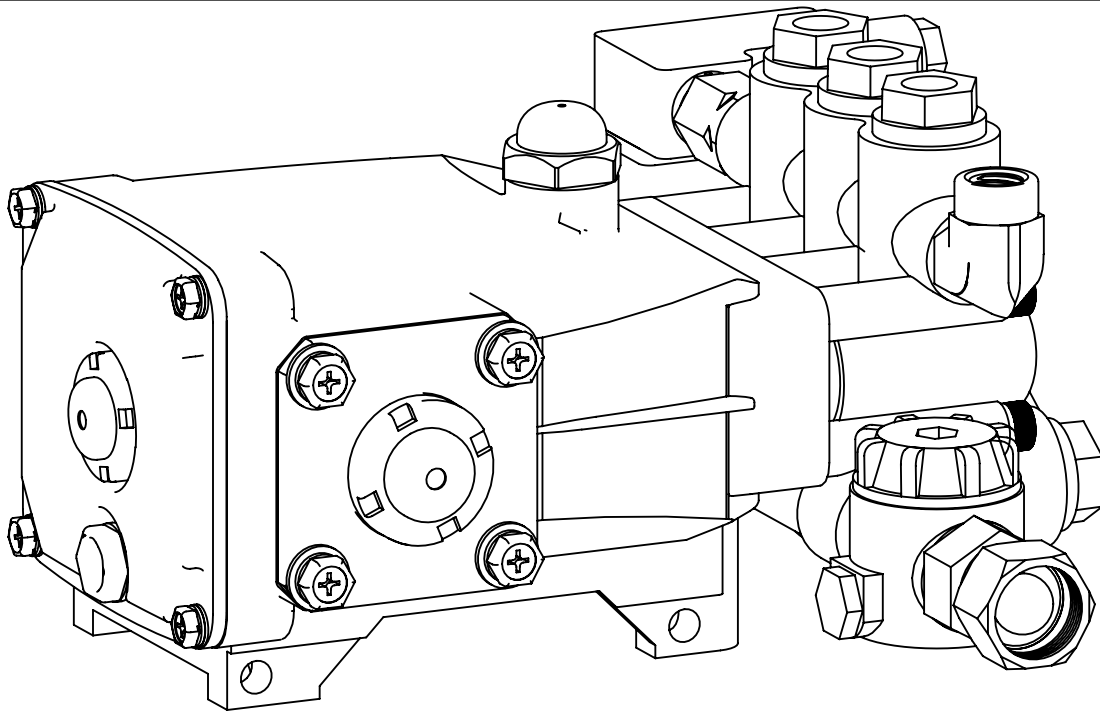
### KIT, BATTERY MOUNTING PART NO. 7106217

ITEM	PART NO.	DESCRIPTION	QTY
8.1		HOLD DOWN, BATTERY	1
8.2		NUT, LOCK 1/4"-28 NYLOCK	4
8.3		WASHER, 1/4" FLAT	6
8.4		1/4" ZINC ALL-THREAD ROD	2
8.5		WASHER, SPLIT-LOCK 1/4"	2
8.6		NUT, 1/4" JAM	2



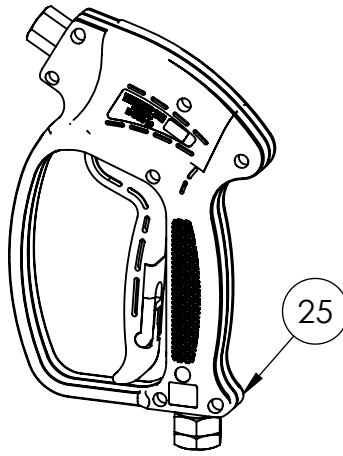
### UNLOADER, SVC ASSY 4000PSI PART NO. 7106214

ITEM	PART NO.	DESCRIPTION	QTY
13.1	7101311	UNLOADER, PULSAR 4000	1
13.2	7100285	ELBOW, 3/8" NPTM x 3/8" NPTF Q BODY	1
13.3	7105768	ELBOW, 5/8" HOSE BARB x 3/8" NPTM	1
13.4	7100287	ELBOW, 3/8" NPTM x 3/8" NPTF	2
13.5	7101604	REDUCER, 3/8" NPTM x 1/4" NPTF	1
13.6	7100157	BRACKET, UNLOADER VALVE	1
13.7		BOLT, 5/16"-18 x 3/4"	2
13.8		NUT, WHIZ 5/16-18	2

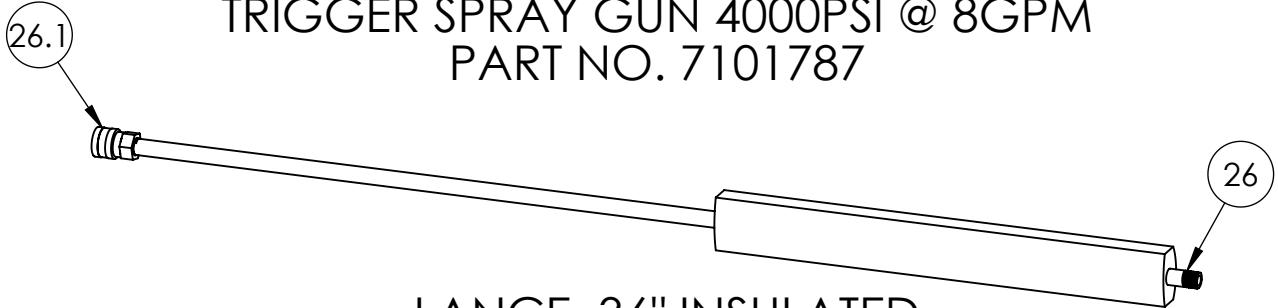


CAT PUMP, SVC ASSY DEWALT MINI-SKID  
PART NO. 7106218

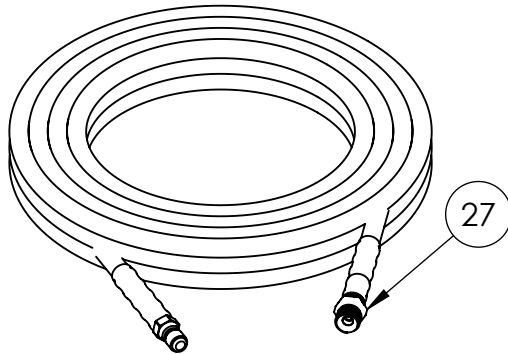
ITEM	PART NO.	DESCRIPTION	QTY
11.1	7105611	PUMP, 3000PSI @ 4.8GPM 1750RPM	1
11.2	7103089	KEY, M6 x 6 x 25MM	1
11.3	7100421	HOSE BARB, 1/2" NPTM x 5/8"	1
11.4	7200234	PRESSURE SWITCH 3/8" M	1
11.5	7100287	ELBOW, 3/8" NPTM x 3/8" NPTF	1
11.6	7102176	WATER FILTER GREEN CAP	1
11.7	7100051	INLET FITTING, 1/2" NPTM x 3/4" GHT	1



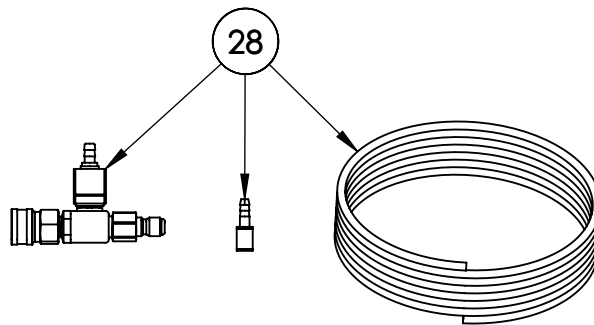
TRIGGER SPRAY GUN 4000PSI @ 8GPM  
PART NO. 7101787



LANCE, 36" INSULATED  
PART NO. 7100550



HOSE, 3/8" x 50' x 4500PSI RUBBER  
PART NO. 7107495

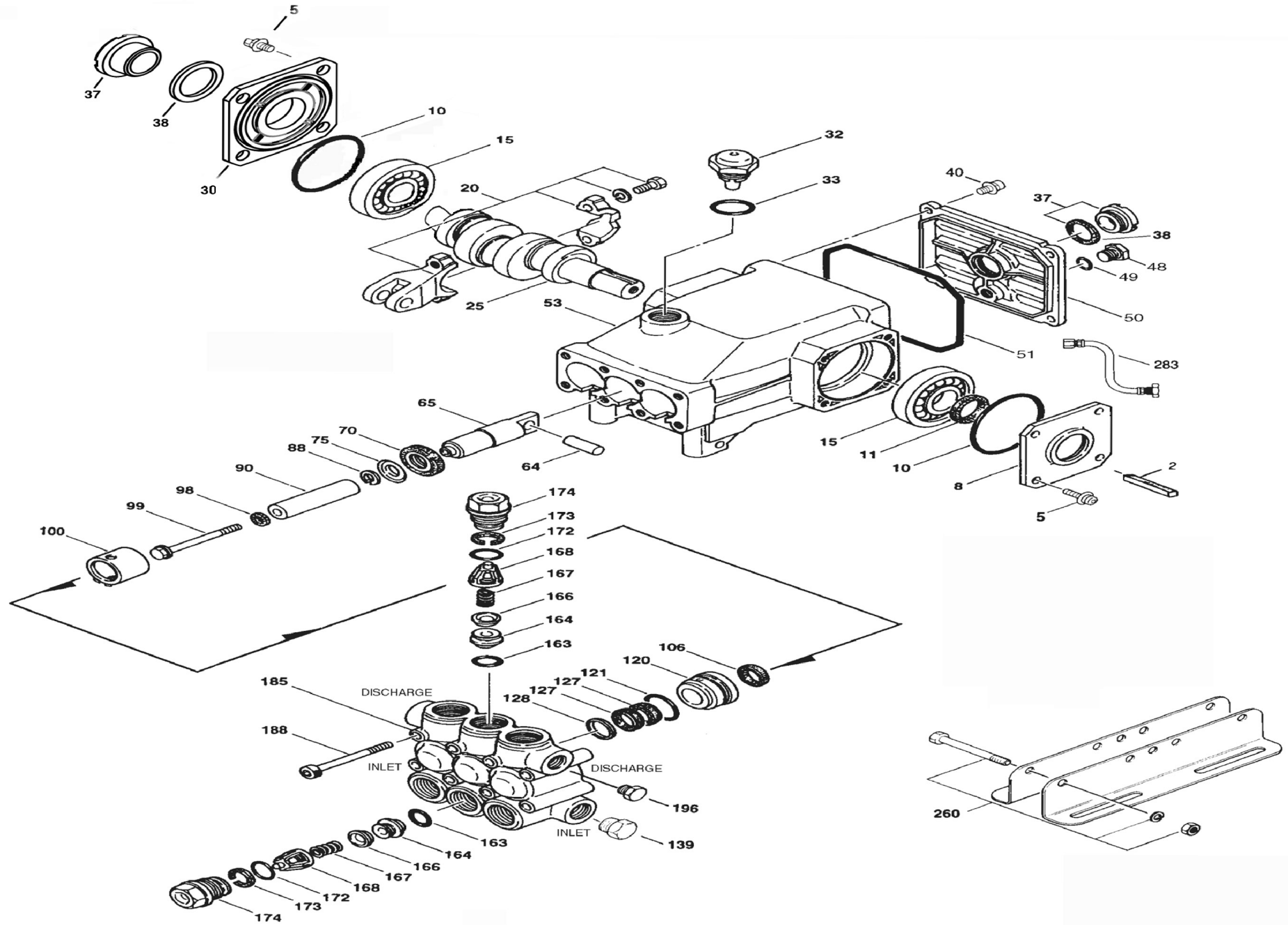


CHEMICAL INJECTOR KIT #2  
PART NO. 7103709

SIZE <b>A</b>	DWG. NO. 60581-S	REV. <b>B</b>
SCALE: N/A	ECN#	DC14-0044
SHEET 7 OF 12		

MODEL NO.  
5CP3120CSS

FNA PART NO.  
7105611



DC12-0198 REV D FNA-GROUP

SIZE	DWG. NO.	REV.
<b>A</b>	60581-S	<b>B</b>
SCALE: N/A	ECN#	DC14-0044
		SHEET 8 OF 12



MODEL NO.  
5CP3120CSS

PART NO.  
7105611

PARTS LIST

ITEM	PART NO.	DESCRIPTION	QTY
------	----------	-------------	-----

2	7103089	KEY (M6 x 6 x 25)	1
5	7105999	SCREW, HHC SEMS (M8 x16)	3
8	7106000	COVER, BEARING	1
10	7106001	O-RING, BEARING COVER - 70D	1
11	7102772	SEAL, OIL	1
15	7102620	BEARING, BALL	2
20	7106002	ROD, CONNECTING ASSY	3
25	7106003	CRANKSHAFT	1
32	7102922	CAP, OIL FILLER, DOMED	1
33	7102617	O-RING, OIL FILLER CAP	2
40	7103054	SCREW, HHC, SEMS (M6 x 16)	4
48	103117	PLUG, DRAIN	1
49	7106005	O-RING, DRAIN PLUG	1
50	7106006	COVER, REAR	1
51	7102615	O-RING, REAR COVER	1
53	7106007	CRANKCASE	1
64	7106008	PIN, CROSSHEAD	3
65	7106009	ROD, PLUNGER	3
70	7101701	SEAL, OIL, CRANKCASE - 70D	3
75	7101702	SLINGER, BARRIER	3
88	7102848	WASHER, KEYHOLE (M18 x 10)	
90	7106010	PLUNGER, (M16 x 510)	3
98	N/A	WASHER, SEAL	3
99	7101705	RETAINER, PLUNGER W/ STUD (M6)	3

ITEM	PART NO.	DESCRIPTION	QTY
------	----------	-------------	-----

100	7101704	RETAINER, SEAL	3
106	N/A	SEAL, LPS WITH S-Spg	3
120	7106010	CASE, SEAL	3
121	N/A	O-RING, SEAL CASE - 70D	3
127	N/A	V-PACKING	6
128	N/A	ADAPTOR, MALE	3
139	7106012	PLUG, INLET (1/2" NPTM)	1
163	N/A	O-RING, SEAT	6
164	N/A	SEAT	6
166	N/A	VALVE	6
167	N/A	SPRING	6
168	7100862	RETAINER, SPRING	6
172	N/A	O-RING, VALVE PLUG	6
173	N/A	BACK-UP RING, VALVE PLUG	6
174	7103043	PLUG, VALVE (M20 x 15)	6
185	7102802	MANIFOLD, HEAD	1
188	7106016	SCREW, HSH (M8 x 70)	8
196	7106017	PLUG, DISCHARGE (3/8" NPTM)	1
255	7105616	MOUNT, DIRECT	1
260	7105613	MOUNT, RAIL, ASSY	1
299	7106019	HEAD COMPLETE	1
300	7100887	KIT, SEAL	1
310	7103121	KIT, VALVE	2
350	7106020	PLIERS, REVERSE	1

N/A - NOT SOLD SEPERATELY

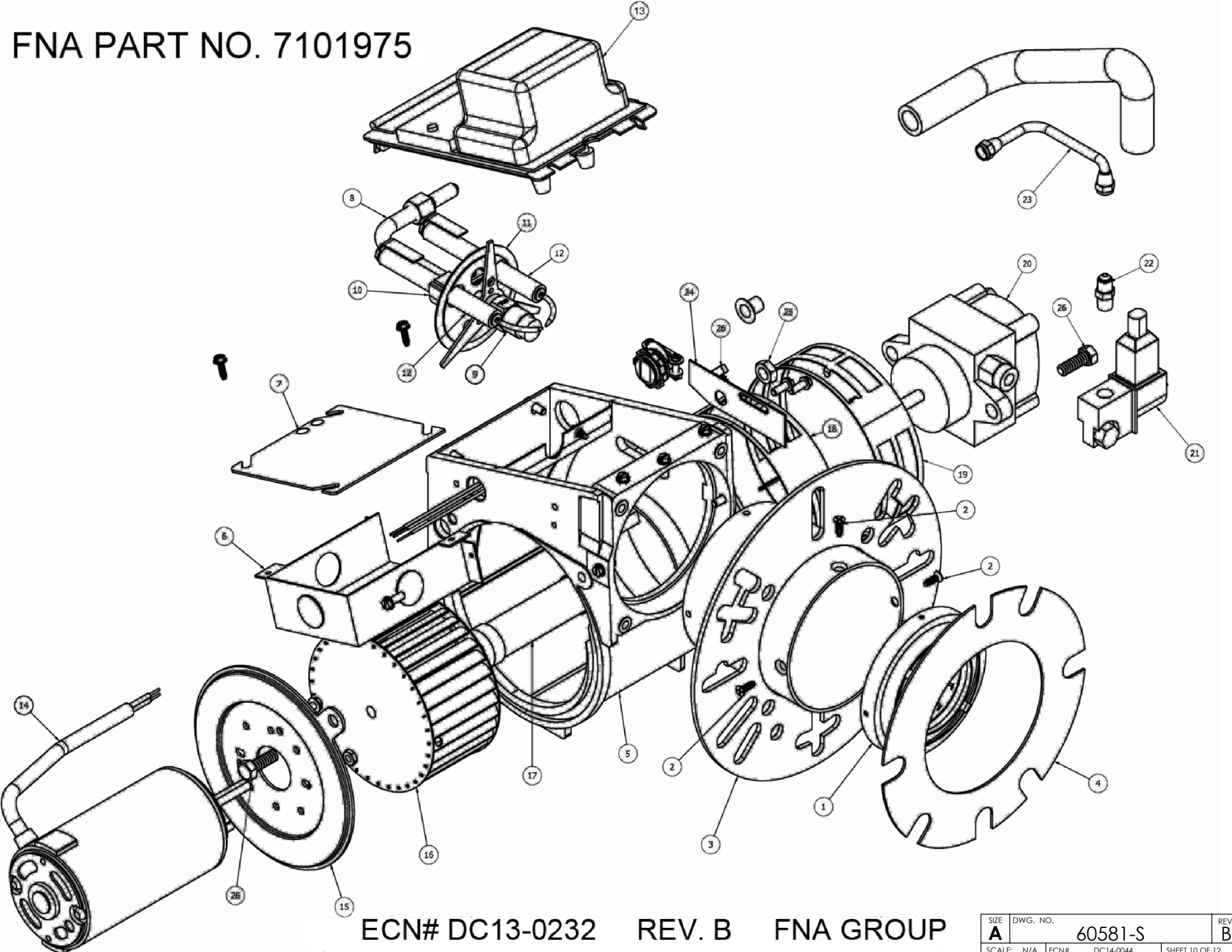
ECN# DC12-0198

REV. D

FNA GROUP

SIZE <b>A</b>	DWG. NO. 60581-S	REV. <b>B</b>
SCALE: N/A	ECN# DC14-0044	SHEET 9 OF 12

# FNA PART NO. 7101975



ECN# DC13-0232 REV. B FNA GROUP

SIZE <b>A</b>	DWG. NO. 60581-S	REV. <b>B</b>
SCALE: N/A	ECN# DC14-0044	SHEET 10 OF 12

# FNA PART NO. 7101975

## WAYNE OIL BURNER PARTS LIST

**BURNER SPEC. NO.**

230-109BDC

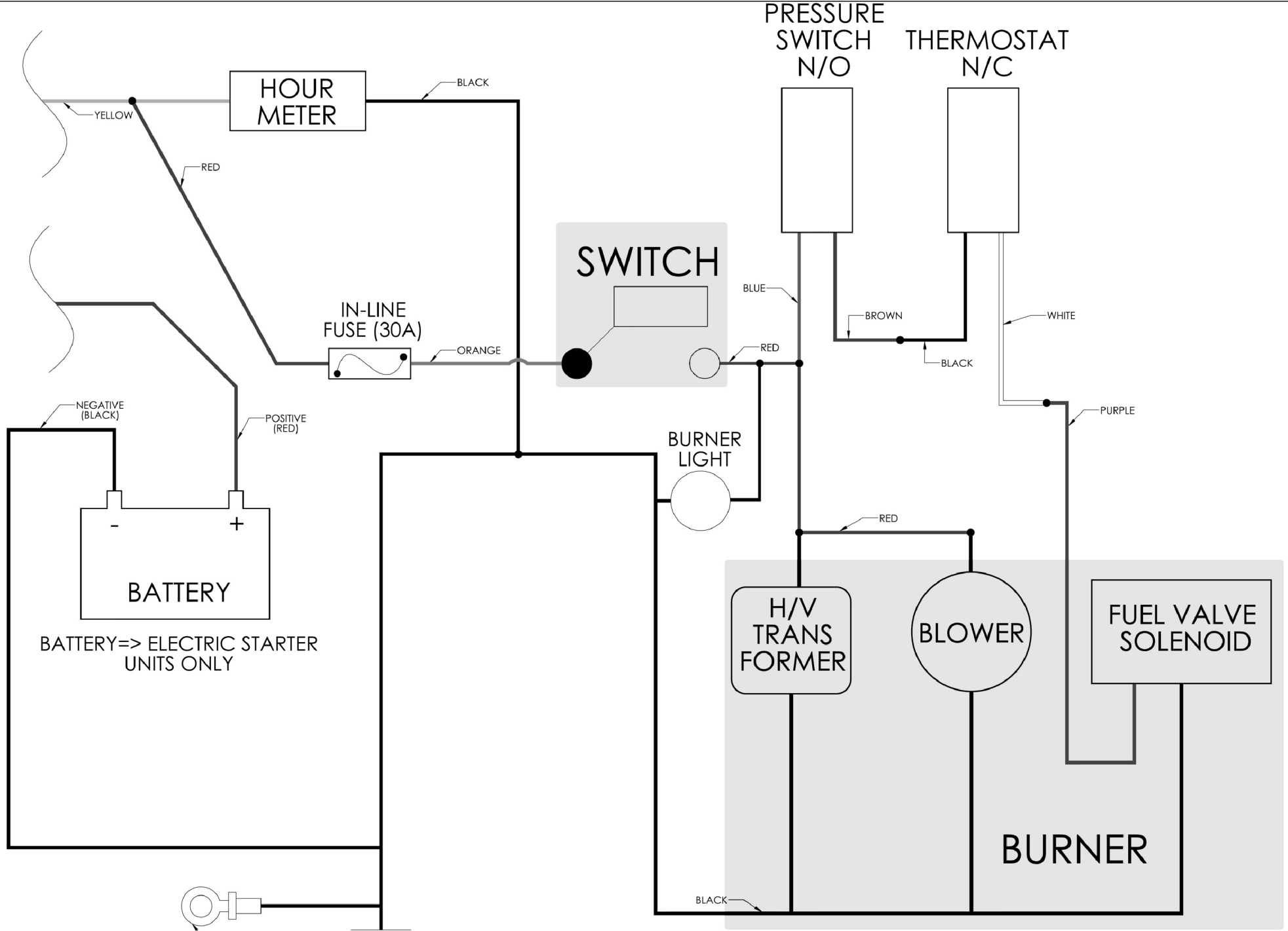
**DESCRIPTION**

MSR 3 3/4" 12VDC

ITEM	FNA PART NO.	DESCRIPTION	QTY
1	7102735	CONE,AIR-#3A	1
2	N/A	SCREW-AIR CONE MOUNTING	3
3	N/A	TUBE,FLANGE ASSEMBLY	1
4	7101781	GASKET,FLANGE-STD LARGE	1
5	N/A	HOUSING ASM-M MACHD/PAINTED	1
6	N/A	J-BOX,3" X 4"	1
7	N/A	COVER, J-BOX	1
8	7102732	GUN ASM-EHS/*1 1/4"BB	1
9	N/A	ADAPTOR,NOZZLE-W/LARGE SUPPORT	1
10	N/A	ELECTRODE SUPPORT KIT W/STABILIZER	1
11	N/A	DISC,STATIC 3" DIA-SOLID	1
12	7101711	KIT-ELECTRODE ASM PAIR	1
13	7101922	IGNITOR KIT-M 12VDC	1
14	7105399	MOTOR,12VDC LOW AMP/3950RPM	1
15	N/A	SIDEPLATE,HOUSING-12VDC MOTOR	1
16	7100331	FAN-2.44"W X 4.53"D M 5/16" BORE	1
17	7101521	COUPLING,FASCO 12VDC MOTOR	1
18	N/A	BAND,AIR INNER-MOD M	1
19	N/A	BAND,AIR OUTER 8-HOLE MOD-M	1
20	7102730	PUMP,SUNTEC A2VA7116 3GPH 1STG	1
21	7102733	VALVE,OIL-S R261N 12V/50-60	1
22	N/A	CONNECTOR,MALE PUMP 3/16" X 1/8"IPT	1
23	N/A	OIL LINE ASSEMBLY-6"	1
24	N/A	PLATE,HOUSING SLOT COVER	1
25	N/A	NUT,GUN LOCK-HEX 3/8-24 CRZC	1
26	N/A	SCREW-MOTOR, PUMP, AIR BAND	5

ECN # DC13-0232 REV. B FNA GROUP

SIZE <b>A</b>	DWG. NO. 60581-S	REV. <b>B</b>
SCALE: N/A	ECN# DC14-0044	SHEET 11 OF 12



N/O - NORMALLY OPEN  
 N/C - NORMALLY CLOSED

SIZE <b>A</b>	DWG. NO. 60581-S	REV. <b>B</b>
SCALE: N/A	ECN# DC14-0044	SHEET 12 OF 12